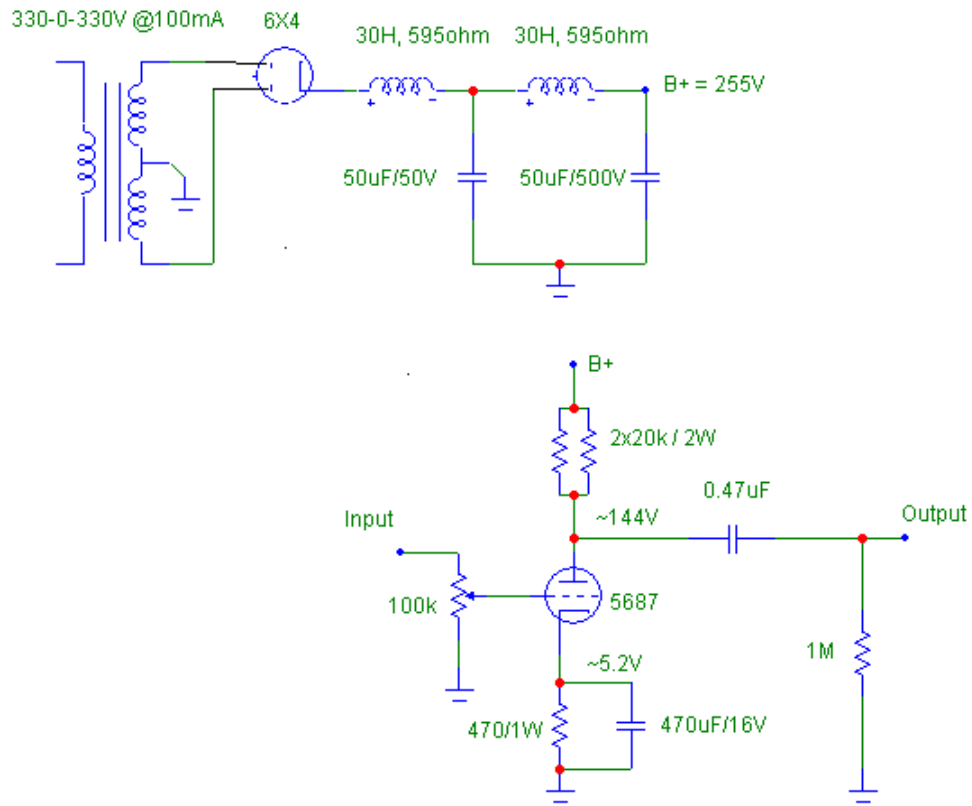


5687 based simple preamp

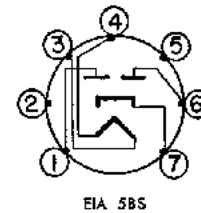
Basic layout

DIY Paradise

9 January 2003



BASING DIAGRAM

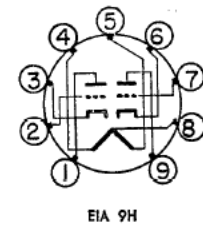


TERMINAL CONNECTIONS

- Pin 1—Plate Number 2
- Pin 2—No Connection
- Pin 3—Heater
- Pin 4—Heater
- Pin 5—No Connection
- Pin 6—Plate Number 1
- Pin 7—Cathode

6X4

BASING DIAGRAM



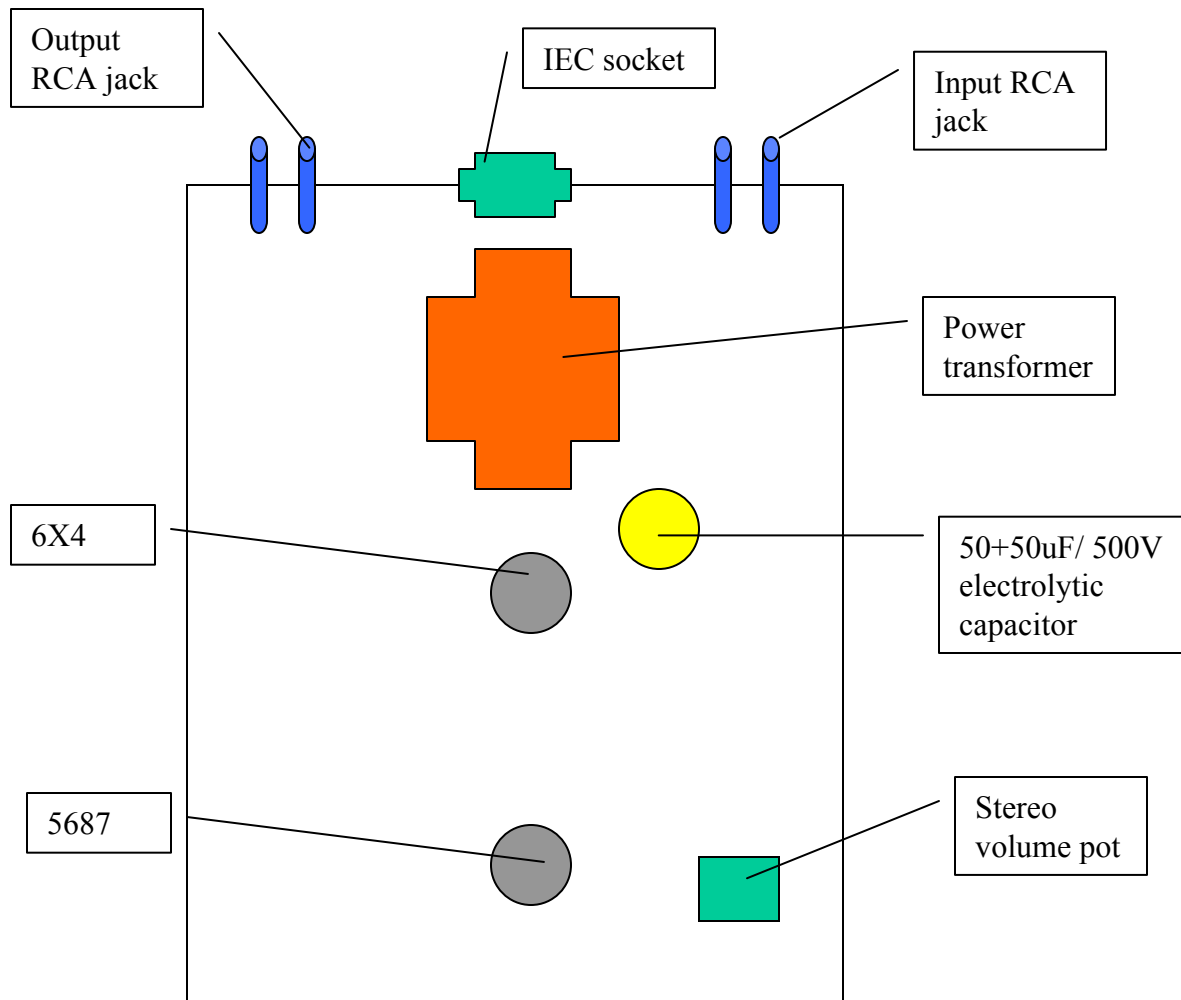
TERMINAL CONNECTIONS

- Pin 1—Plate (Section 2)
- Pin 2—Grid (Section 2)
- Pin 3—Cathode (Section 2)
- Pin 4—Heater
- Pin 5—Heater
- Pin 6—Cathode (Section 1)
- Pin 7—Grid (Section 1)
- Pin 8—Heater Center Tap
- Pin 9—Plate (Section 1)

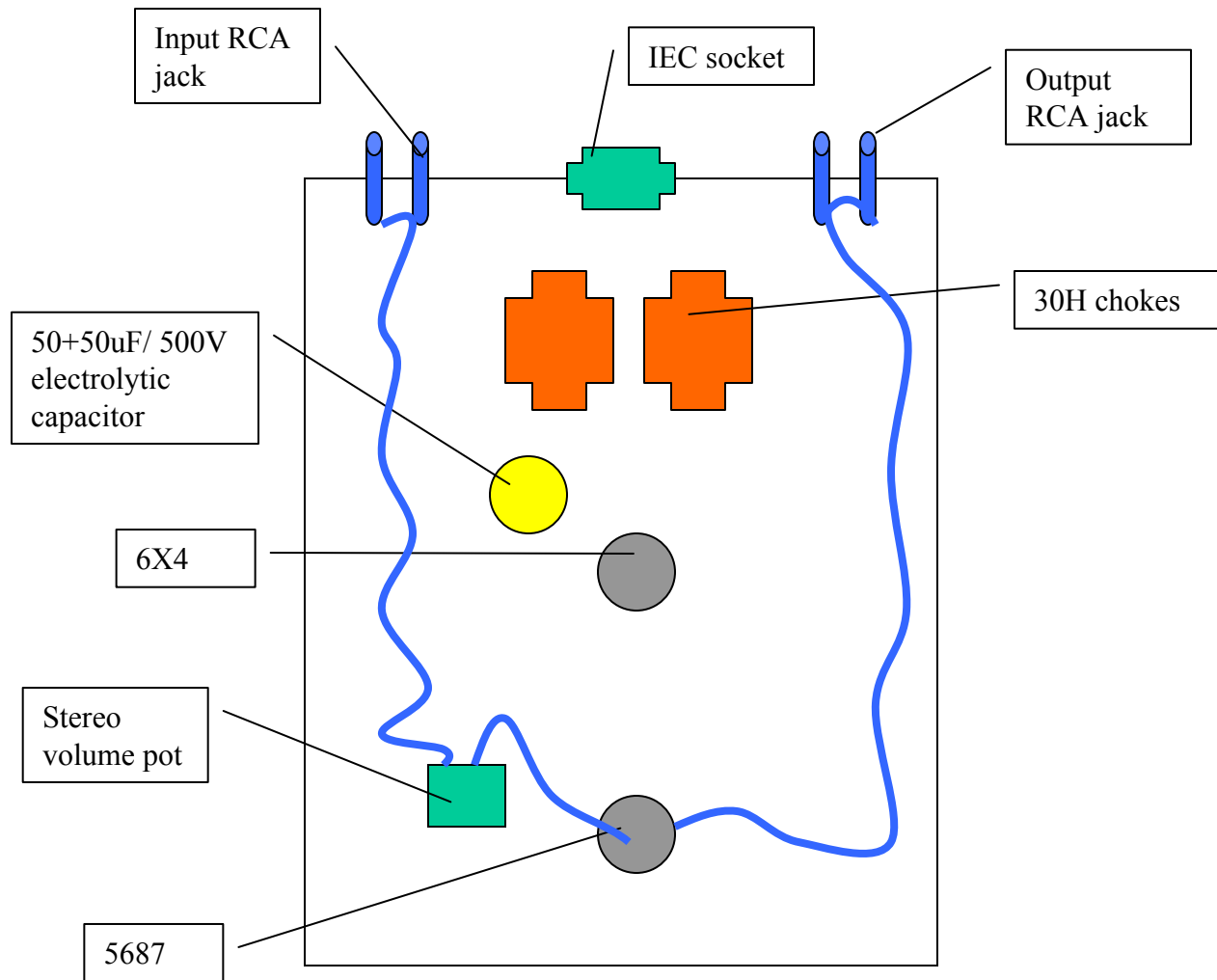
5687

Schematic

Signal circuitry courtesy of
vt4c@hotmail.com



Chassis Layout Top View



Chassis Layout Bottom View

Few points to note here.
Power circuitry is kept at center.

Signal comes in from the input RCA jack, goes to volume pot, then tube, then routes to output RCA jack.

Coloured wavy line shows signal path.

The purpose of doing the layout is to avoid stray flux (from transformer, chokes) from coupling into your signal and also to ensure components are not too cramped together to the extent that there isn't enough ventilation.

The following wiring diagrams are meant to aid you in the sequence in wiring this preamp. Of course, you can do it some other way. Any other way, actually.

Please note that layout of components is not to scale, so when you plan your chassis, don't simply "follow" what you see here.

Remember basic rules still apply:

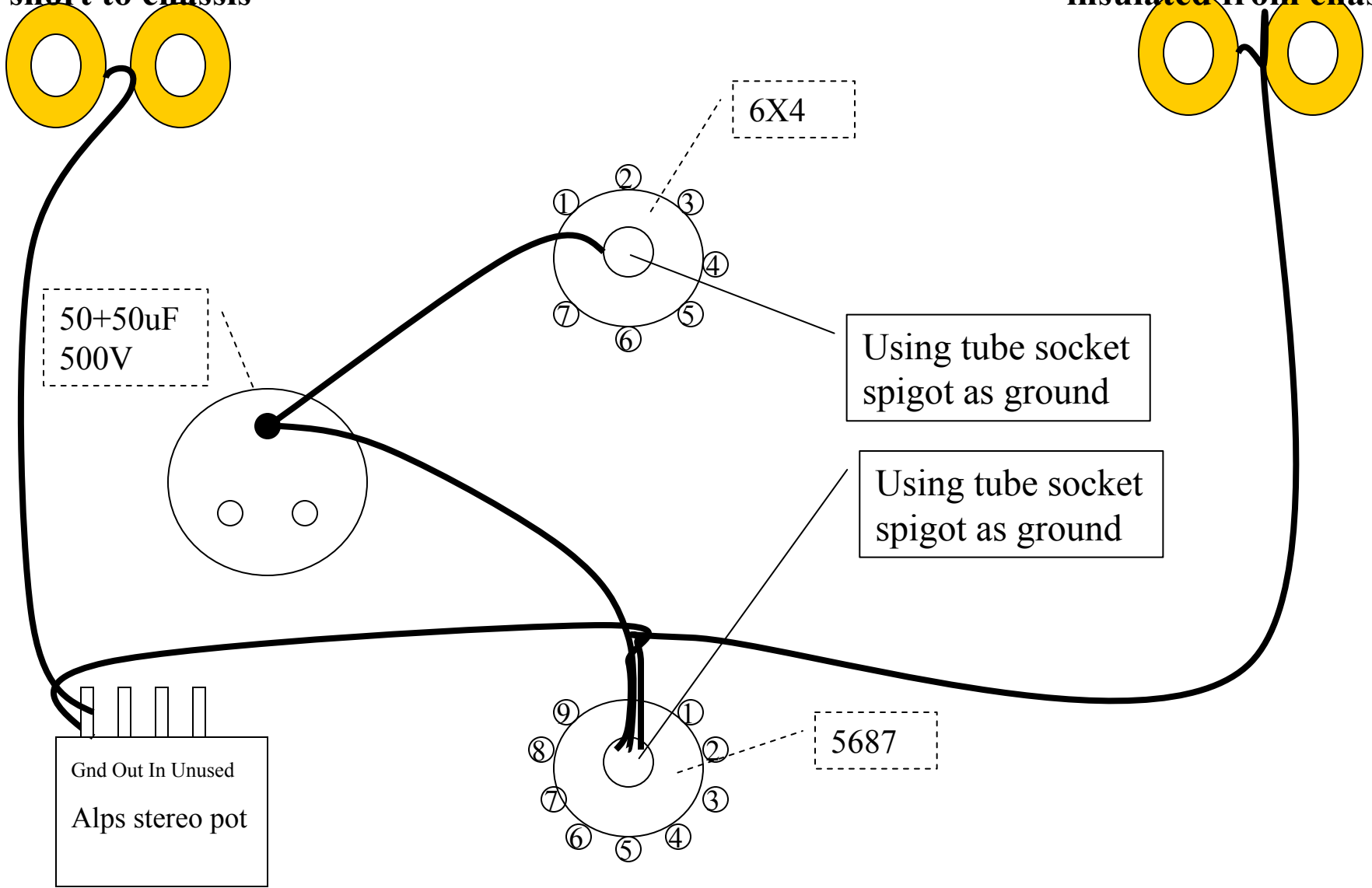
- keep signal wires far away from filament wires transformer, chokes and tube rectifier.
- cross only at 90 degrees.
- twist tightly the heater wires, place close to chassis.
- maintain star ground.

SAFETY FIRST: REMEMBER TO SOLDER IN BLEEDER RESISTOR! REMEMBER TO "EARTH THE CHASSIS"!

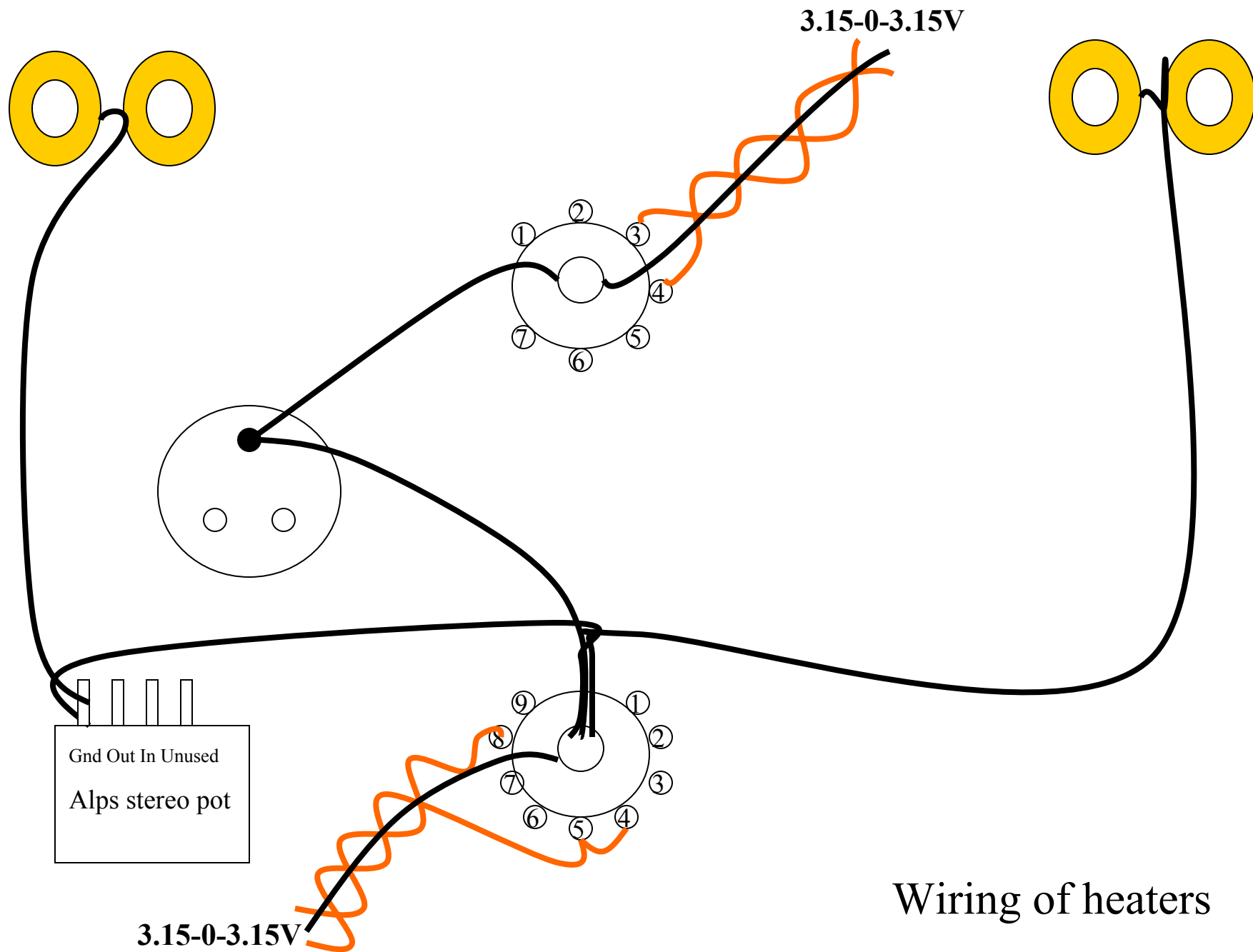
You "earth the chassis" by wiring Earth of IEC socket to chassis, through a nut. THEN confirm the resistance between Earth of IEC and chassis is as close to zero as possible.

**Input RCA jack
short to chassis**

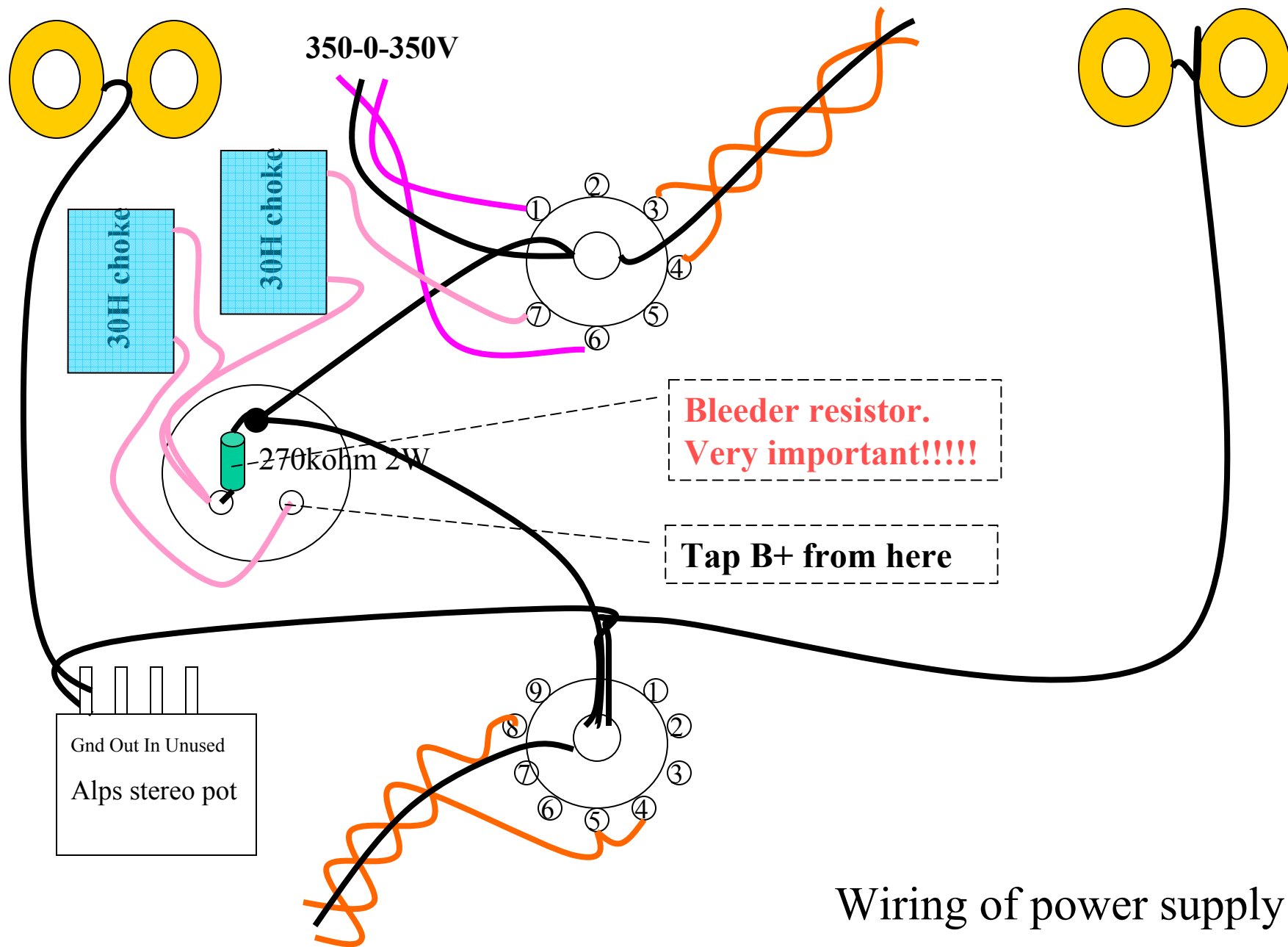
**Output RCA jack
insulated from chassis**



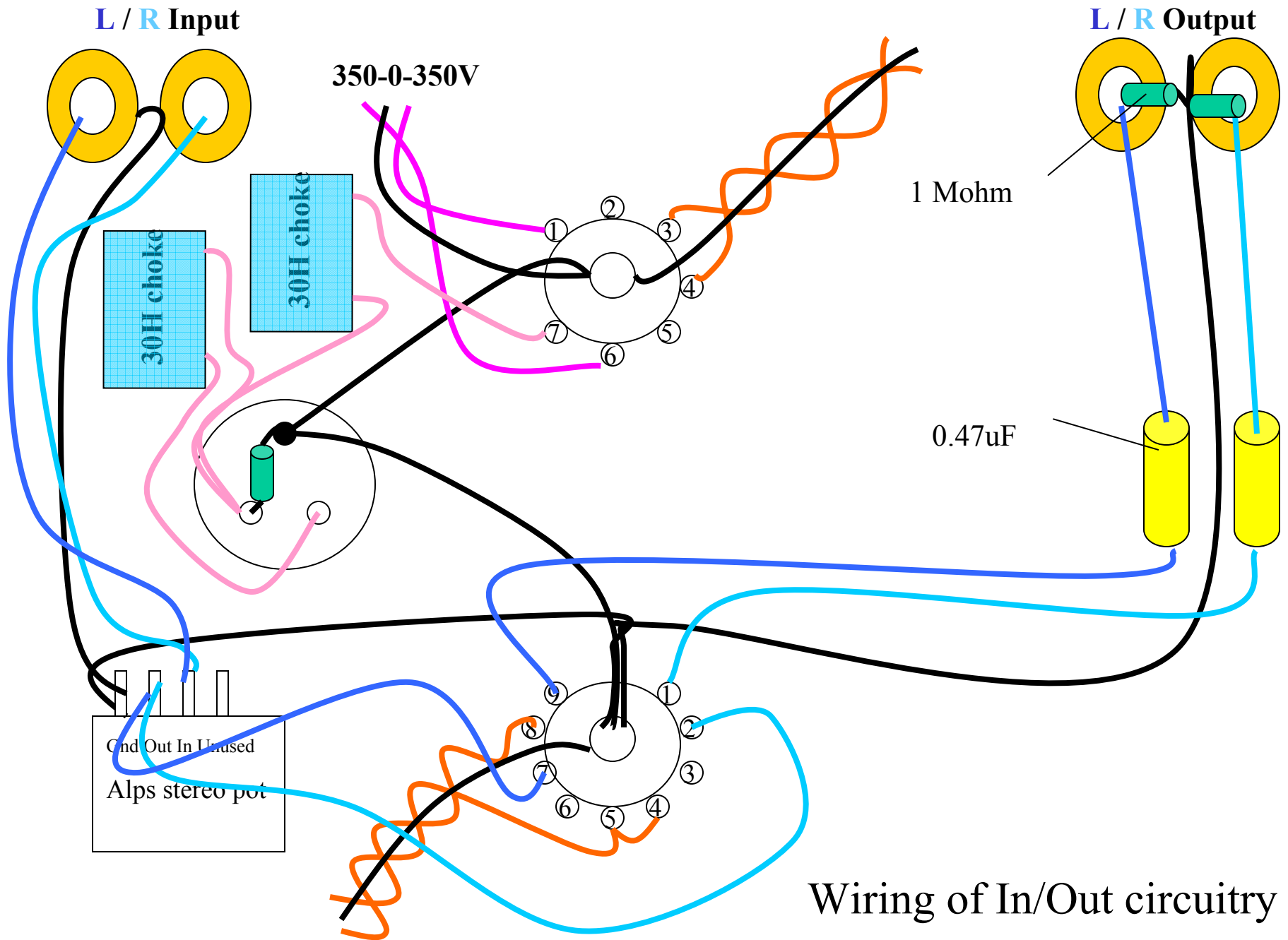
Ground layout



Wiring of heaters



Wiring of power supply



Wiring of In/Out circuitry

